

McFARLANE
MFG. CO.
INC. *Sauk City, Wisconsin*

MANUFACTURERS OF QUALITY AGRICULTURAL EQUIPMENT SINCE 1936

OPERATOR'S MANUAL
AND
PARTS LISTING
FOR THE

**CTM Series
Mounted Harrow**

M&W 1700, 2200 & 2500
Disk Ripper

VERSION: 7-06 (MM-2314)

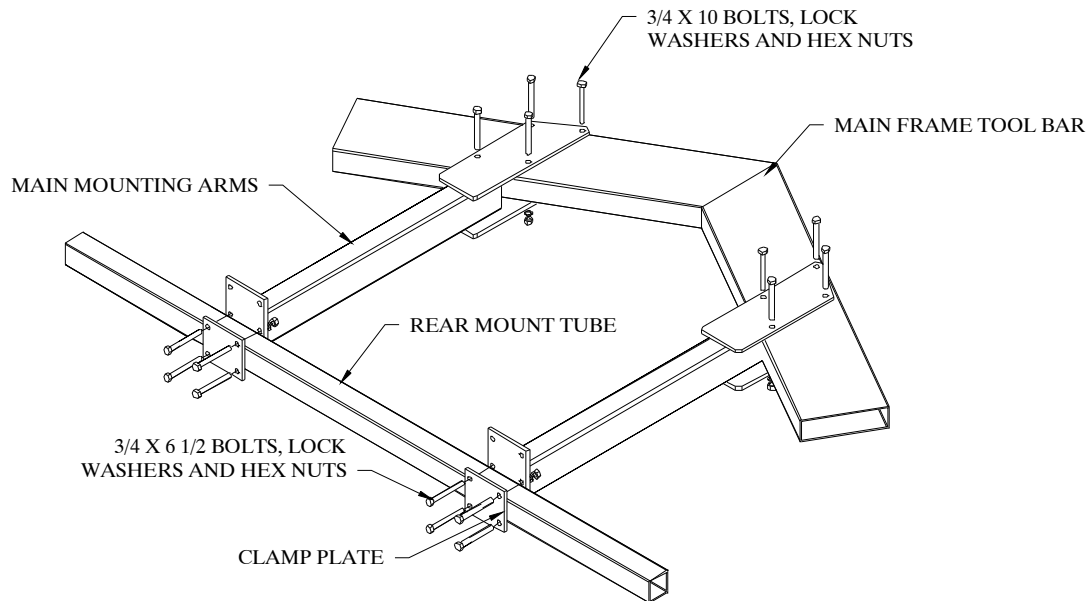
TO THE OWNER AND OPERATORS

Before assembling or operating this unit, READ THIS MANUAL THOROUGHLY. To obtain the best performance of the unit, familiarize yourself with each component and adjustment. Store this manual where it can be readily available for future reference. In the event that the harrow or any part of the unit should be sold, be sure that the new owner receives a copy of this manual for their reference.

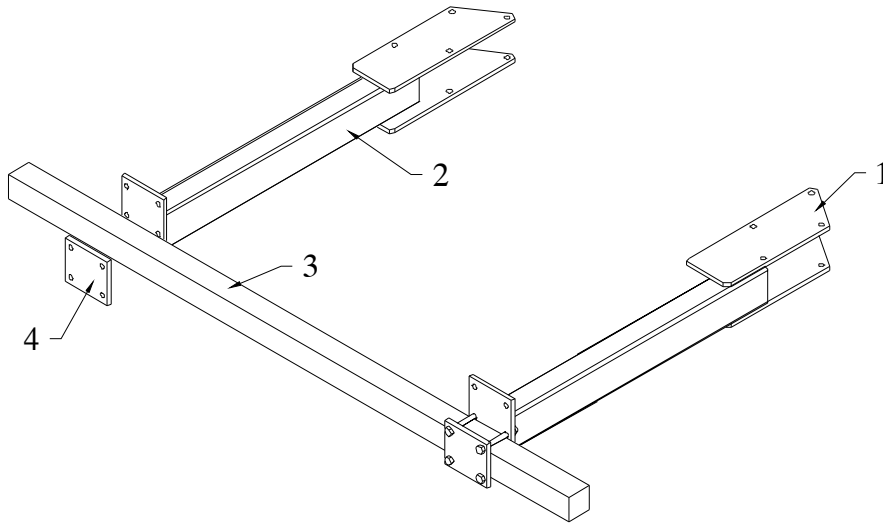
1330 DALLAS STREET, P.O. BOX 100
SAUK CITY, WISCONSIN 53583
PHONE: (608) 643-3321
TOLL FREE: (800) 627-8569 FAX: (608) 643-3976

STEP - BY - STEP ASSEMBLY INSTRUCTIONS

1. Attach the Main Mount Arms to the rear tool bar of the base unit between the outer most shanks on each side. Use 3/4 bolts, lock washers and nuts along with the Mount Arm Clamp Plates.
2. Attach the Rear Mount Tube to the Main Mount Arms. Use 3/4" bolts, lock washer and hex nuts along with the Mount Tube Clamp Plates.



CTM MOUNT PARTS LIST
FOR M&W EARTHMASTER MOUNTING



Always order by Part Number - *Not* by Key Number

KEY PART	#	DESCRIPTION
1	CTM-3578	51" MAIN MOUNT ARM, RIGHT (1705-30)
1	CTM-3576	65" MAIN MOUNT ARM, RIGHT (1707-24 & 2207-30)
1	CTM-3580	61" MAIN MOUNT ARM, RIGHT (2209-24)
	CTM-3586	81" MAIN MOUNT ARM, RIGHT (2209-24)
2	CTM-3577	51" MAIN MOUNT ARM, LEFT (1705-30)
2	CTM-3575	65" MAIN MOUNT ARM, LEFT (1707-24 & 2207-30)
2	CTM-3579	61" MAIN MOUNT ARM, LEFT (2209-24)
	CTM-3585	81" MAIN MOUNT ARM, LEFT (2209-24)
3	****	MAIN MOUNT TUBE
4	CTM-3502	CLAMP PLATE

Please specify length when ordering these parts.

Bolts, washers, nuts, and cotter pins are not shown. Refer to the setup instructions for details.

McFarlane Manufacturing reserves the right to change specifications of design at any time without obligation to modify previous products.

Layout Diagram for M&W 2209-24

