

McFARLANE
MFG. CO.
INC. *Sauk City, Wisconsin*

MANUFACTURERS OF QUALITY AGRICULTURAL EQUIPMENT SINCE 1936

OPERATOR'S MANUAL
AND
PARTS LISTING
FOR THE

**CTM Series
Mounted Harrow**

Extended Toolbar Mounting

VERSION: 9-02AJF

TO THE OWNER AND OPERATORS

Before assembling or operating this unit, READ THIS MANUAL THOROUGHLY. To obtain the best performance of the unit, familiarize yourself with each component and adjustment. Store this manual where it can be readily available for future reference. In the event that the harrow or any part of the unit should be sold, be sure that the new owner receives a copy of this manual for their reference.

1330 DALLAS STREET, P.O. BOX 100
SAUK CITY, WISCONSIN 53583
PHONE: (608) 643-3321
TOLL FREE: (800) 627-8569 FAX: (608) 643-3976

STEP - BY - STEP ASSEMBLY INSTRUCTIONS

Attach the Main Mount Arms to the rear tool bar of the base unit. The Mount Arms should be bolted to the rear side of the tool bar and should be as evenly spaced as possible. Use 3/4 bolts, lock washers and nuts along with the Mount Arm Clamp Plates.

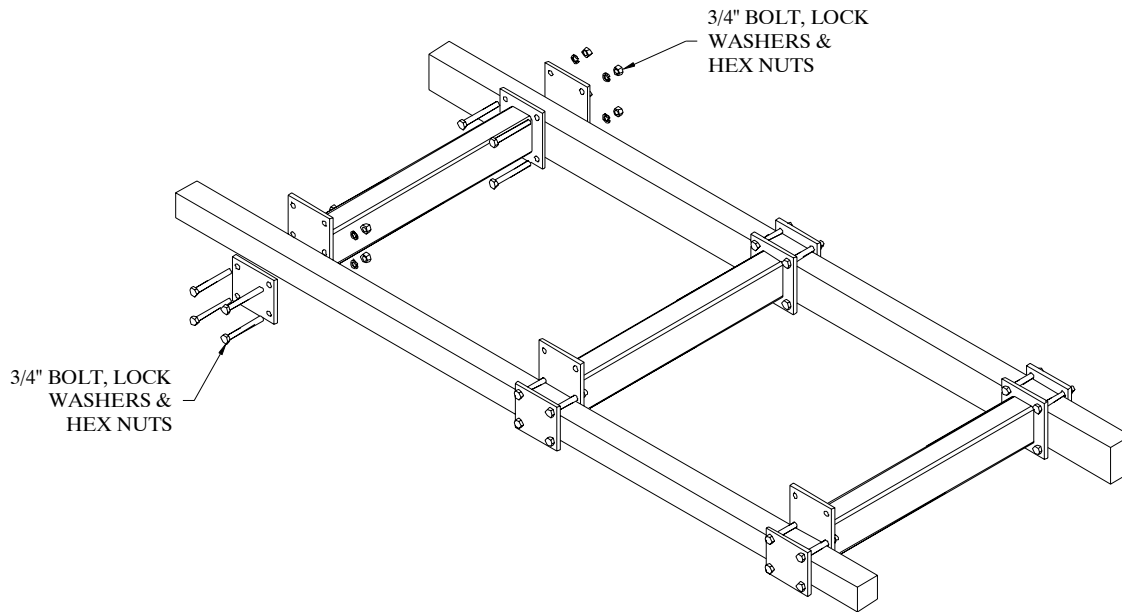
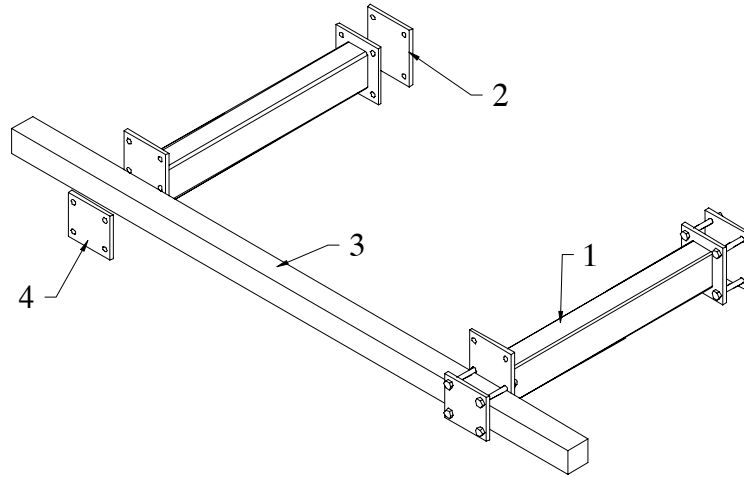


Figure 1

Attach the Rear Mount Tube to the Main Mount Arms. Use 3/4" bolts, lock washer and hex nuts along with the Mount Tube Clamp Plates.

**CTM MOUNT PARTS LIST
FOR EXTENDED TOOL BAR MOUNTING**



Always order by Part Number - *Not* by Key Number

KEY	PART #	DESCRIPTION
1	CTM-3695	40" MAIN MOUNT
**	CTM-3690	50" MAIN MOUNT
**	CTM-3696	20" MAIN MOUNT
2	WD-2706	MAIN MOUNT CLAMP
3	****	MAIN MOUNT TUBE
4	CTM-3502	CLAMP PLATE

** Unnumbered items not pictured
 **** Please specify length when ordering these parts.

Bolts, washers, nuts, and cotter pins are not shown. Refer to the setup instructions for details.

McFarlane Manufacturing reserves the right to change specifications of design at any time without obligation to modify previous products.